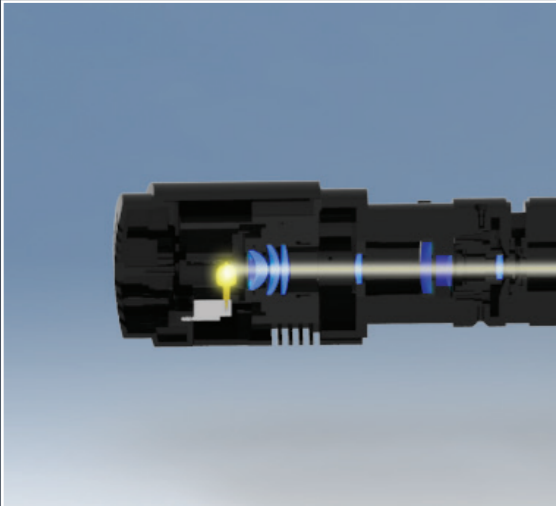


MET 400

METALLURGICAL MICROSCOPE



STREAMLINING METALLOGRAPHIC IMAGING



An ultra bright 6V-30W light source with a neutral color index faithfully reproduces images for a broad range of materials, particularly those used in color sensitive applications such as photomicrography.



The ML series of objectives are the product of a meticulously designed optical system that provides a long range in working distance. Tight design control on chromatic aberrations help the MET 400 deliver pristine images across the visible spectrum. Dry 100x objective is optional.



A slide-in polarizing kit with built-in polarizer/analyzer fits seamlessly beneath the objective turret for user convenience. The kit comes equipped with a rotating polarizer for 360 degrees of light extinction.



The LABOMED MET 400 is a workhorse tabletop metallurgical microscope that takes on a compact and highly durable form, making it the ideal candidate for daily inspection of heat-treated and stress-tested metals, glass, plastics, and chemicals.

LABOMED's proprietary *MaxLite™* optical coatings possess superb anti-reflective and anti-scratch properties that result in a high dynamic range in contrast and durability in demanding environments. A well designed illumination system delivers bright, evenly lit specimens.

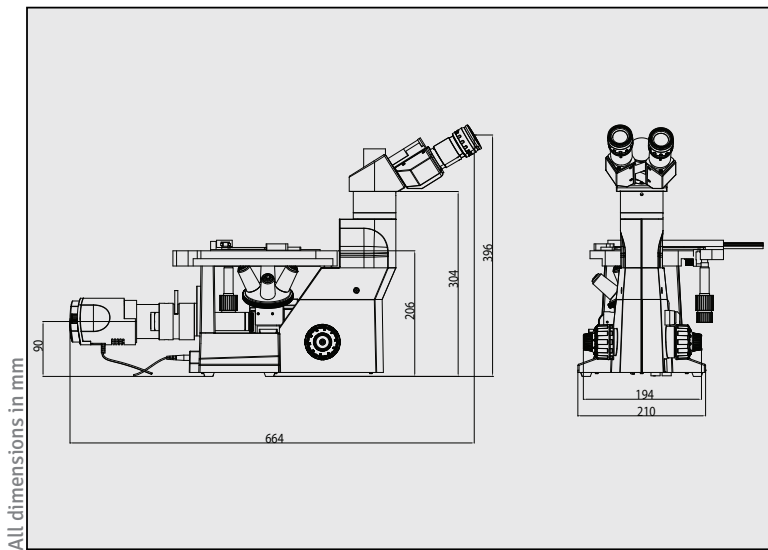
Options such as a 100x Dry objective, polarizing kit, and digital solutions further augment this microscope's reach. With anti-microbial paints on all contact surfaces, the MET 400 will remain bacteria-free in any environment.

DELIVERING RELIABLE INSIGHTS TO YOUR DAILY ROUTINE

MET 400

Stand	Ergonomic sturdy stand made of anti-rust material
Viewing Body	Siedentopf Binocular or Trinocular head; 30° inclined, fixed; IPD 52 - 75mm
Eyepieces	Focusable Wide Field eyepieces 10x/22mm, with foldable eye guard, antifungal
Nosepiece	Reverse angle quadruple nosepiece with click stops and rubber grip
Objectives	ML series infinity corrected, DIN Plan Achromatic objectives 5x, 10x, 20x and 50x; antifungal, <i>MaxLite™</i> coated; Optional 100x Dry objective
Focusing	Coaxial coarse and fine focusing system with tension adjustment. Fine focus graduation is 2um per division.
Illumination	Koehler episcopic illumination system with diffuser; Halogen 6V-30W with intensity control; 100V - 240V universal power supply
Stage	Fixed stage with specimen holder - 3 types (38mm, 55mm, 65mm). Optional mechanical stage.
Optional	100x Dry objective; Mechanical stage; Adapters for video and digital cameras

SPECIFICATIONS



DESCRIPTION	CONFIGURATION	CATALOG NO.
MET 400	Binocular	7129000
MET 400	Trinocular	7129100



Labo America, Inc.
920 Auburn Court
Fremont, CA 94538

Tel: (510) 445-1257
Fax: (510) 445-1317
E-mail: sales@laboamerica.com

www.laboamerica.com



LABOMED 

Distributor

7129000-796 1.0
© Labo America, Inc. All rights reserved.